



# AC/DC 电源适配器

## JWAP 电源适配器--10W 输出

JWAP Adapter series --10W Output

### 典型性能 Typical Performance

#### ◆宽电压输入范围

Wide range input voltage

#### ◆高效率、高功率密度、低纹波

High efficiency、High power density、Low ripple & noise

#### ◆自然风冷，壳温低于 60℃

Natuare air cooling,the shell surface temperature less than 60℃

#### ◆采用 IC 控制，器件离散性小

Ics control the circuit, and components of smaller discreteness



### 输入特性 Input Features

输入电压范围 Input voltage range	100~240VAC	110VAC 220VAC
输入电压频率 Input voltage frequency		47~63Hz
输入冲击电流 Inrush current	230VAC 冷启动 230VAC Cold start,	≦ 20A

### 输出特性 Output Features

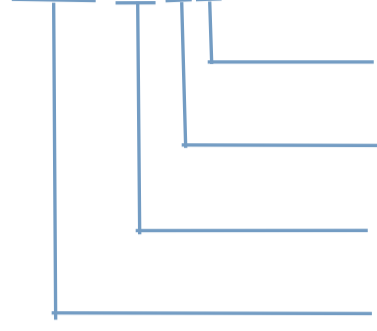
输出电压精度 Voltage tolerance	标称电压 Nominal voltage	≦ ±1% (5V ≦ ±2%)
电压调整率 Line regulation	输入电压从低端到高端变化 Change of input voltage from lowend to highend	≦ ±0.5%
负载调整率 Load regul	20%~100%负载变化 20%~100% Load change	$V_O \leq \pm 1\%$
纹波噪声 Ripple&Noise	20M 带宽 20M Bandwidth	≦ 1%
温度系数 Temperature coefficient		±0.02%/℃
过流保护 Output overcircuit Protection		115~150%额定电流,自恢复 115~150%rated output circuit, auto recovery
短路保护 Short Circuit Protection		长期, 自恢复 Long-term, auto recovery
启动时间 Rise time	220VAC 满载 220VAC Full load	500mS (典型值) 500ms (typical)
保持时间 Hold up time	220VAC 满载 220VAC Full load	100mS (典型值) 100ms (typical)

### 一般特性 General Features

隔离耐压 Withstand voltage	输入对输出 I/P-O/P、 输入对地 I/P-F/G (1分钟,漏电流 ≦ 5mA ) (1Mintute ,leakage current) ≦ 5mA)	3000VAC  1500VAC
绝缘电阻 Isolation resistance	500V	≧ 100MΩ
MTBF	环境 25℃ Environment 25℃	2.0*10 <sup>5</sup> Hrs
工作温度 Operating temperature		0℃~50℃
储存温度 Storage temperature		-20℃~85℃
工作相对湿度 Operating humidity	无凝露及结冰现象 (non condensing)	10%~90%RH
储存相对湿度 Storage humidity	无凝露及结冰现象 (non condensing)	5%~95%RH
冷却方式 Cooling method		自然冷却 Convection

## 命名方式 Naming Rules

### JWAP-10 S 5



输出电压  
Output voltage  
单路输出  
Single Output  
输出功率  
Output power  
AC/DC 电源适配器  
AC/DC Adapter

## 产品选型 Product selection

产品型号 Model No.	输出电压 Output voltage $V_o$	输出电流 Output current $I_o$	输出电压精度 Output voltage tolerance	纹波噪声 R&N $V_{(P-P)mV}$	效率 Efficiency
JWAP-10S5	5V	2.00A	±2%	80mV	73%
JWAP-10S9	9V	1.11A	±1%	80mV	78%
JWAP-10S12	12V	0.84A	±1%	100mV	79%
JWAP-10S15	15V	0.67A	±1%	100mV	80%
JWAP-10S24	24V	0.42A	±1%	120mV	80%

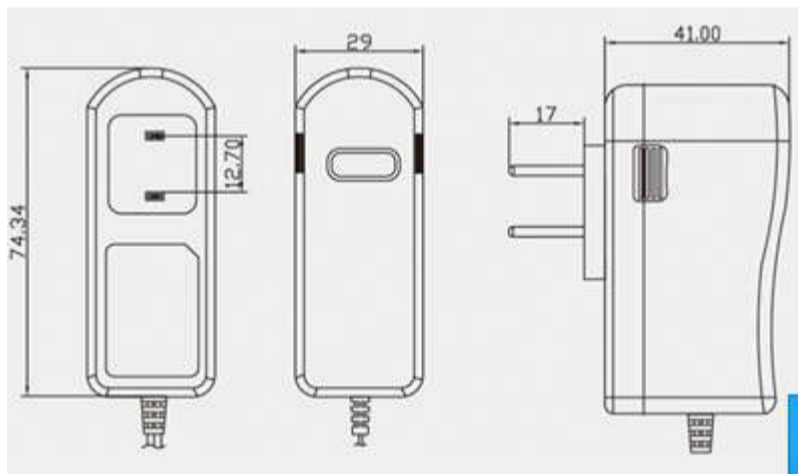
注：1、因篇幅有限，以上只是部分产品列表，若需列表以外产品，请与本公司销售部联系。  
2、所有参数在为特别指明时，都是在230VAC输入电压，额定负载和25℃条件下的测量值。  
3、纹波噪声是在20MHz带宽示波器，用12英寸双绞线末端加0.1uF和47uF电容式测量值

Note: 1、Due to space limitations ,the above list is only for some products, If other than a list of products, please contact the Company's sales department..

2、When not especial specified, aii the paramenters are obtained under the conditions of input vollage is 230Vac,nominal rated IGoand 25℃.

3、Output ripple and noise is obtained that in the 20MHz bandwith oscilloscope's 12-inch twisted-pair terminal add capacitance 0.1uF and 47uF capacitance.

## 封装尺寸图 Mechanical Data



注：电源安装尺寸如与选型手册不符，请以实物尺寸为准。

Note: Power mechanical data does not match with the hand book, Please refer to product size