



AC/DC 充电电源

JWAC 充电电源系列--500W 输出

JWAC charging Switching Power Supply Series--500W Output

典型性能 Typical Performance

- ◆外形尺寸: 241*124*65 (mm)
Dimension: 241*124*65 (mm)
- ◆宽输入电压范围
Wide range input voltage
适用于不同类型蓄电池充电使用
Applicable to the use of different types of battery charging
- ◆高效率、高功率密度、低纹波
High efficiency、High power density、Low ripple & noise
- ◆金属外壳, 八面屏蔽,
Metal shell, Eight face shield
- ◆安规: EN60950
Ann rules: EN60950



输入特性 Input Features

输入电压范围 Input voltage range	170~265VAC 230~370VDC	220VAC
输入电压频率 Input voltage frequency		47~63Hz
输入冲击电流 Inrush current	230VAC 冷启动 230VAC Cold start,	≅ 60A

输出特性 Output Features

输出电压精度 Voltage tolerance	标称电压 Nominal voltage	≅ ±1%
电压调整率 Line regulation (full load)	输入电压从低端到高端变化 Change of input voltage from lowend to highend	≅ ±0.5%
负载调整率 Load regul	20%~100%负载变化 20%~100% Load change	$V_O \cong \pm 1\%$
充电恒压精度 Constant voltage charging accuracy	标称电压 Nominal voltage	≅ ±1%
充电恒流精度 Constant current charging accuracy	标称电流 Nominal current	≅ ±10%
纹波噪声 Ripple&Noise	20M 带宽 20M Bandwidth	≅ 1%
温度系数 Temperature coefficient		±0.02%/°C

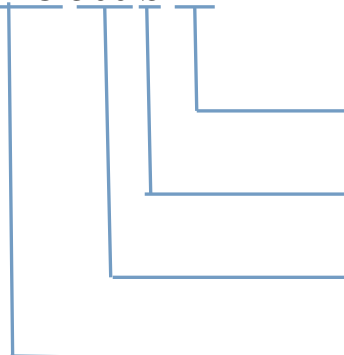
短路保护 Short Circuit Protection		长期, 自恢复 Long-term ,auto recovery
启动时间 Rise time	220VAC 满载 220VAC Full load	1000mS (典型值) 1000ms (typical)
保持时间 Hold up time	220VAC 满载 220VAC Full load	20mS (典型值) 20ms (typical)

一般特性 General Features

隔离耐压 Withstand voltage	输入对输出、输入对地 I/P-O/P、I/P-F/G 输出对地 O/P -F/G (1分钟, 漏电流 $\leq 5\text{mA}$) (1Mintute leakage current) $\leq 5\text{mA}$)	1500VAC 500VAC
绝缘电阻 Isolation resistance	500V	$\geq 50\text{M}\Omega$
MTBF	环境 25°C Environment 25°C	2.0*10 ⁵ Hrs
工作温度 Operating temperature	55°C以上降额使用 Above 55°C derating make	-25°C~70°C(-40°C~70°C)
储存温度 Storage temperature		-40°C~85°C
工作相对湿度 Operating humidity	无凝露及结冰现象 (non condensing)	10%~90%RH
储存相对湿度 Storage humidity	无凝露及结冰现象 (non condensing)	5%~95%RH
冷却方式 Cooling method		自然冷却 Convection

命名方式 Naming Rules

JWAC-500 S 12

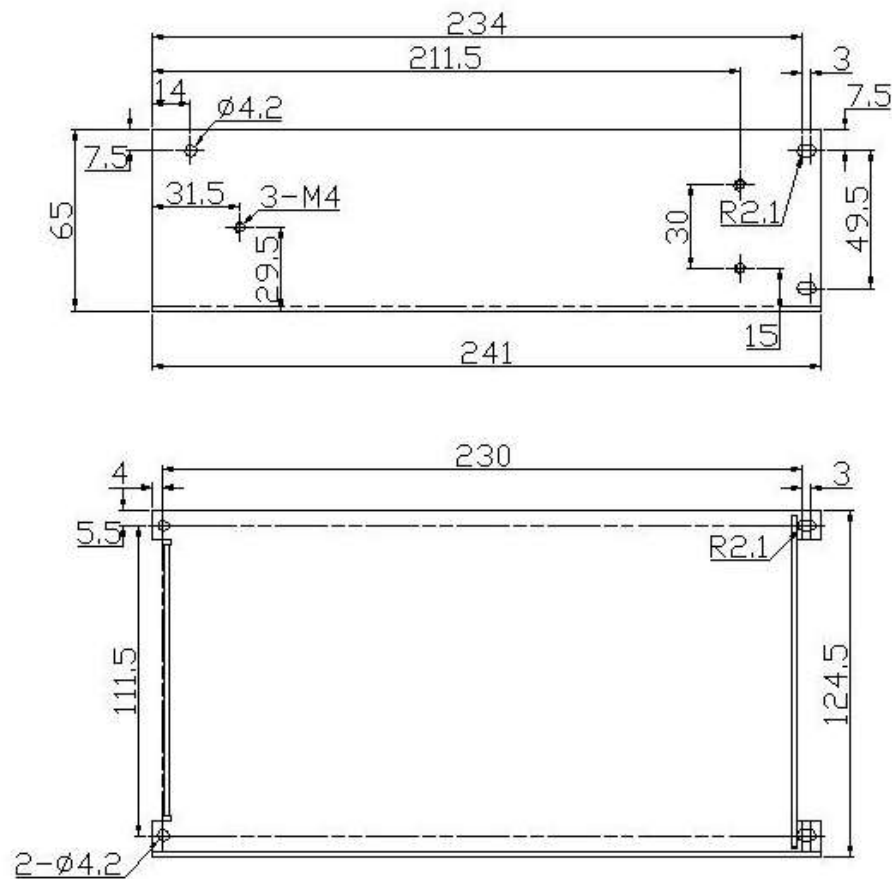


电池标称电压
 Battery nominal vollage
 单路输出
 Single Output
 输出功率
 Output power
 AC/DC 充电电源
 AC/DC charging Switching Power Supply

产品选型 Product Selection Table

产品型号 Product model	电池标称电压 Battery nominal voltage	充电电压 Charging voltage	充电电流 Charging current	浮充电压 Float voltage	效率 Efficiency
JWAC-500S12	12V	14.8V	41.7A	13.8V	85%
JWAC-500S24	24V	29.4V	20.8A	27.4V	85%
JWAC-500S36	36V	44.2V	13.9A	41.2V	86%
JWAC-500S48	48V	58.8V	10.4A	54.8V	87%
JWAC-500S60	60V	73.5V	8.3A	68.5V	88%
JWAC-500S72	72V	88.2V	6.9A	82.8V	88%

安装尺寸图 Mechanical Data



注：电源安装尺寸如与选型手册不符，请以实物尺寸为准。

Note: Power mechanical data does not match with the hand book, Please refer to product size