



DC/DC 铁路机车整机工控电源

JWDKR 铁路机车整机工控电源--300W 单路输出

JWDKR Railway locomotive Switching Power Supply-- 300W Single Output

典型性能 Typical Performance

- ◆外形尺寸：240*125*65 (mm)
Dimension: 240*125*65 (mm)
- ◆宽输入电压范围
Wide range input voltage
- ◆高效率、高功率密度、低纹波
High efficiency、High power density、Low ripple & noise
- ◆105℃长寿命电解电容
105℃ long life electrolytic capacitors
- ◆金属外壳，八面屏蔽，
Metal shell, Eight face shield
- ◆安规：EN60950
Ann rules: EN60950



输入特性 Input Features

输入电压范围 Input voltage range	标称 110V Nominal voltage 110V	66~160VDC
-------------------------------	---------------------------------	-----------

输出特性 Output Features

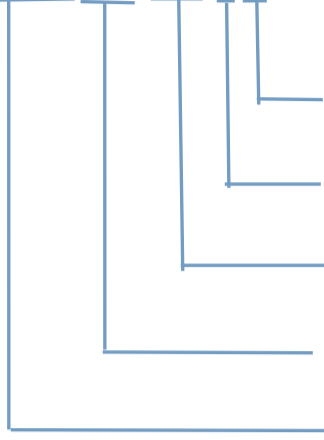
输出电压精度 Voltage tolerance	标称电压 Nominal voltage	$\leq \pm 1\%$ (5V $\leq \pm 2\%$)
电压调整率 Line regulation (full load)	输入电压从低端到高端变化 Change of input voltage from lowend to highend	$\leq \pm 0.5\%$
可调范围 Adjustment range		$\pm 10\%$
负载调整率 Load regulation	20%~100%负载变化 20%~100% Load change	$V_o \leq \pm 0.5\%$
纹波噪声 Ripple&Noise	20M 带宽 20M Bandwidth	$\leq 1\%$
温度系数 Temperature coefficient		$\pm 0.02\%/^{\circ}\text{C}$
过流保护 Output over circuit Protection		115~150%额定电流,自恢复 115~150%rated output circuit,auto recovery
短路保护 Short Circuit Protection		长期,自恢复 Long-term,auto recovery
过冲幅度 Overshoot	25%额定负载变化 25% rated load change	$\leq 500\mu\text{S}$
	$\Delta V_{o1} / V_{o1}$	$\leq \pm 4.0\%$

一般特性 General Features

隔离耐压 Withstand voltage	输入对输出、输入对地 I/P-O/P、I/P-F/G 输入对地 I/P-F/G (1分钟,漏电流 $\leq 5\text{mA}$) (1Mintute ,leakage current) $\leq 5\text{mA}$)	1500VAC 500VAC
绝缘电阻 Isolation resistance	500V	$\geq 50\text{M}\Omega$
MTBF	环境 25℃ Environment 25℃	$2.0 \times 10^5 \text{Hrs}$
工作温度 Operating temperature	55℃以上降额使用 Above 55℃ derating make	-40℃~70℃
储存温度 Storage temperature		-40℃~85℃
工作相对湿度 Operating humidity	无凝露及结冰现象 (non condensing)	10%~90%RH
储存相对湿度 Storage humidity	无凝露及结冰现象 (non condensing)	5%~95%RH
冷却方式 Cooling method		自然冷却 Convection

命名方式 Naming Rules

JWDKR300-110 S 9



输出电压
Output voltage
单路输出
Single Output
标称输入电压
Nominal Input voltage
输出功率
Output power
DC/DC 铁路机车整机工控电源
DC/DC Railway locomotive Switching Power Supply

产品选型 Product selection

产品型号 Model No.	输入电压范围 Input voltage V_{in}	输出电压 Output voltage V_o	输出电流 Output current I_o	纹波噪声 R & N $V_{(P-P)mV}$	效率 Efficiency
JWDKR300--110S9	66~160V	9V	33.3A	100	82%
JWDKR300--110S12		12V	25.0A	120	83%
JWDKR300--110S15		15V	20.0A	120	84%
JWDKR300--110S24		24V	12.5A	150	86%
JWDKR300--110S48		48V	6.3A	200	88%

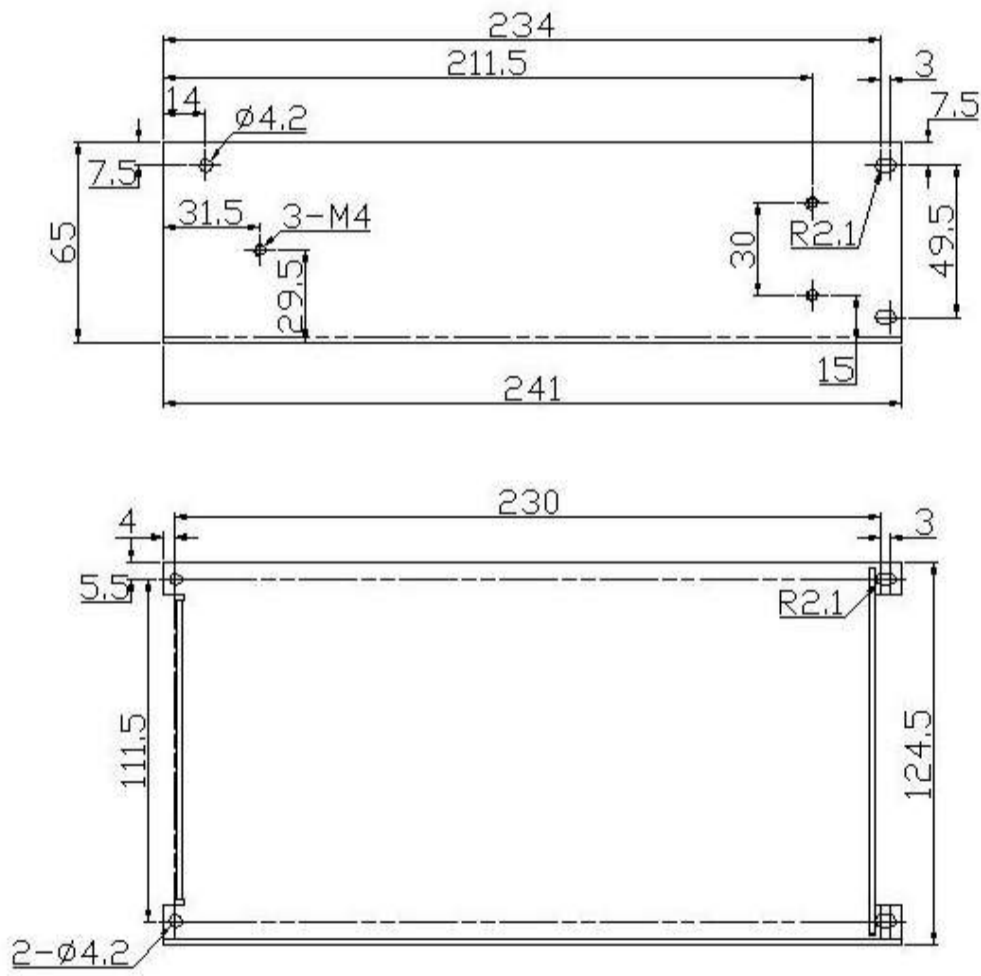
注：1、纹波噪声测试方法：使用一根12”双绞线，在终端并联0.1uF和47uF电容，在20MHz带宽下测试。

2、因篇幅有限，以上只是部分产品列表，若需列表以外产品，请与本公司销售部联系。

Note: 1、Ripple & noise are measured at 20MHz of bandwidth by using a 12”twisted pair-wire terminated with a 0.1uF & 47uF parallel capacitor.

2、Due to space limitations, the above list is only for some products, If other than a list of products, please contact the Company's sales department..

安装尺寸图 Mechanical Data



注：电源安装尺寸如与选型手册不符，请以实物尺寸为准。

Note: Power mechanical data does not match with the hand book, Please refer to product size.